

RGB-Signalverstärker LN-24A (12-24V, 288-576W)



Summarization



High speed large current power amplifier, suit for PWM control led controller, it can amplify the power of LED controller, each time add one amplifier, the connecting number of led will be more than twice to three times, and can cascade, in theory, numerous amplifiers can be connected. It is convenience for different voltage, high power and small power LED lamps and lanterns unified control. Whether our company's products or any other company's products, as long as it is PWM control, voltage appropriate, all can use this series power amplifier. Using high speed light lotus root design, can achieve very low delay time, to ensure that when many sets of cascade, it can keep pace with host.

Technical parameters

- Working temperature: -20°C ... +60°C
- Working voltage: DC12V-24V
- Signal voltage: DC12V-24V
- Input signal: PWM dimming signal
- Dimming range: 0.1%-100%
- Net weight: 130g
- Gross weight: 150g
- External dimension: L145mm*W76.8mm*H20.5mm
- Packing size: L155 X W85 X H26 mm
- Connect terminal: screw connect mode, terminal caliber 7mm
- Connect mode: common anode
- Output current: <24A
- Output power: 12V:<288W, 24V:<576W

Interface instruction

RGB signal control port:

- ①: Common anode public pole
- ②: R channel input signal cathode
- ③: G channel input signal cathode
- ④: B channel input signal cathode



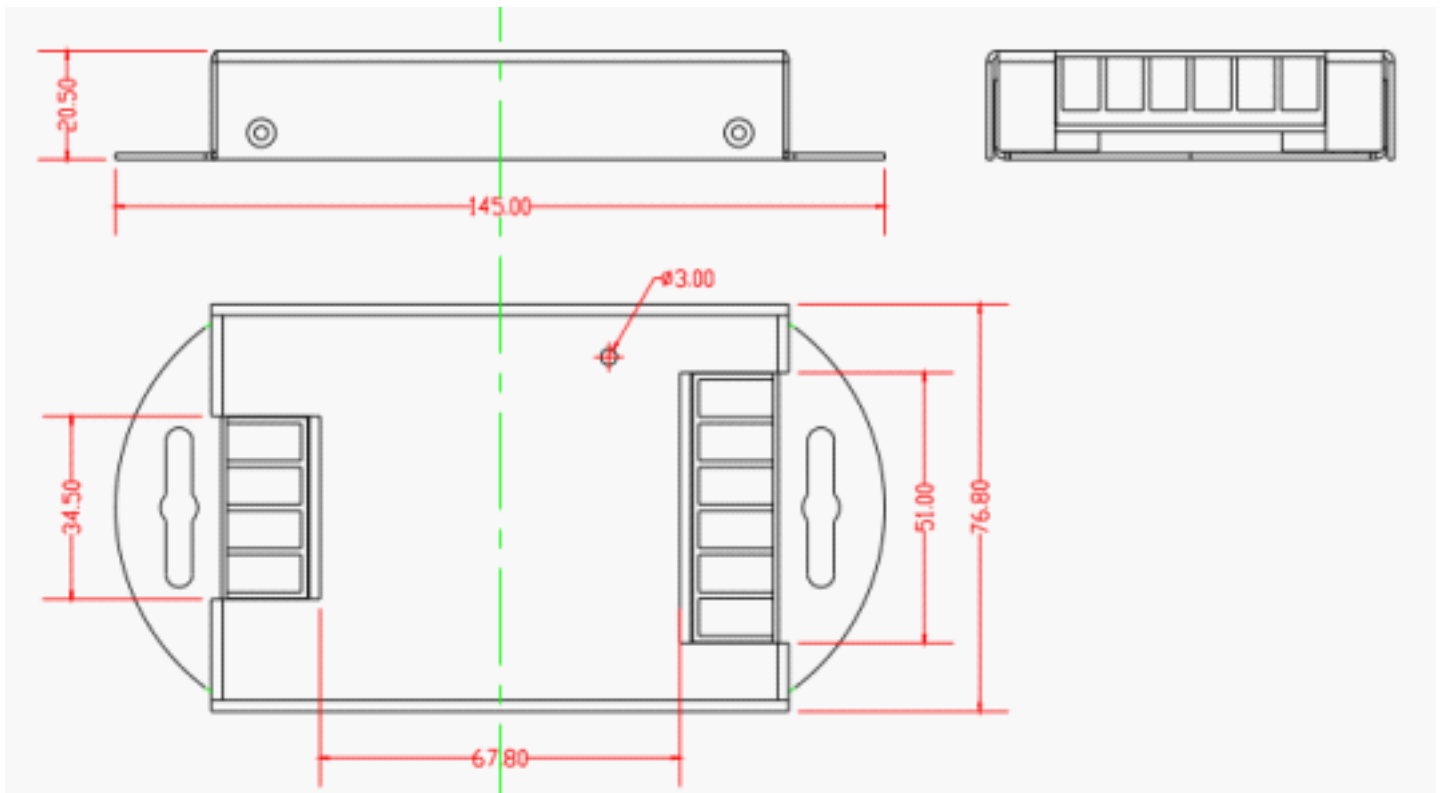
RGB-Signalverstärker LN-24A (12-24V, 288-576W)

Power and load output port:

- ⑤: B channel load output cathode
- ⑥: G channel load output cathode
- ⑦: R channel load output cathode
- ⑧: Load output common anode public pole
- ⑨: Power supply input voltage anode
- ⑩: Power supply input voltage cathode



External Dimension



RGB-Signalverstärker LN-24A (12-24V, 288-576W)

Technical Application

