

ARPV-LV12050 (12V, 4A, 50W)

ARPV-LV24050 (24V, 2A, 50W)

Application

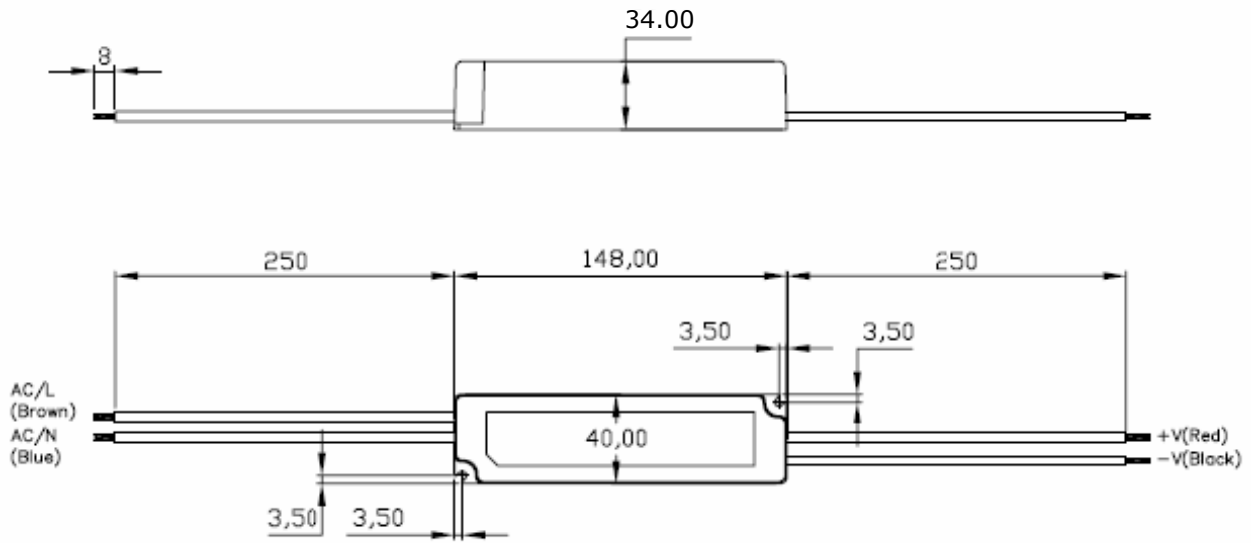
- Constant voltage mode power supply
- Universal AC input / Full range
- Protections: Short circuit / Over current / Over Voltage
- Small and compact size
- UL1310 Class 2 power unit
- 100% full load burn-in test
- Suitable for LED lighting and moving sign applications
- 2 years warranty



Specification

MODEL		ARPV-LV12050 (12V, 4A, 50W)	ARPV-LV24050 (24V, 2A, 50W)
OUTPUT	DC VOLTAGE	12V	24V
	RATED CURRENT	4A	2A
	CURRENT RANGE	0~4A	0~2A
	RATED POWER	50W	
	RIPPLE & NOISE (max.)	100mVp-p	200mVp-p
	VOLTAGE TOLERANCE	±3.0%	
	LINE REGULATION	±1.0%	
	LOAD REGULATION	±2.0%	
	SETUP,RISE TIME	500ms,250ms/230VAC 500ms,250ms/115ac at full load	
	HOLD UP TIME (TYP.)	50ms/230VAC 24ms/115VAC at full load	
INPUT	VOLTAGE RANGE	100-240VAC	
	FREQUENCY RANGE	47~63Hz	
	EFFICIENCY(Typ.)	82% full load	84% full load
	AC CURRENT	1.0A/100VAC 0.60A/200A	
	INRUSH CURRENT (max.)	COLD STAT 70A/230VAC 35A/115VAC	
	LEAKAGE CURRENT	0.25mA/240VAC	
PROTECTION	OVER CURRENT SHORT CIRCUIT	Above 150% ~200%rated output power or short circuit Protection type: Hiccup mode, recovers automatically after fault condition is removed.	
	OVER VOLTAGE	Protection type: Hiccup mode, recovers automatically after fault condition is removed.	
	OVER TEMPERATURE	Tj 140°C typically(IC1) Detect on main control IC	
		Protection type: Hiccup mode, recovers automatically after temperature goes down	
ENVIRONMENT	WORKING TEMP.	-20~+50°C	
	WORKING HUMIDITY	20~90% RH non-condensing	
	STORAGE TEMP., HUMIDITY	-40~+80°C, 10°C~95% RH	
	TEMP.COEFFICIENT	±0.03%/°C (0°C~50°C)	
	VIBRATION	10 ~ 500Hz, 2G 10min./1cycle, period for 60min. each along X,Y, Zaxes	
SAFETY & EMC	SAFETY STANDARDS	Design refer to UL1310 Class 2,TUV EN60950-1, EN61347-2-13, CAN/CSA C22.2 No. 223-M91, meet IP6	
	WITHSTAND VOLTAGE	I/P-O/P:3KVAC	
	ISOLATION RESISTANCE	I/P-O/P:>100M Ohms / 500VDC / 25°C~70%RH	
	EMI CONDUCTION & RADIATION	Compliance to EN55022 (CISPR22) Class B	
	HARMONIC CURRENT	Compliance to EN61000-3-2,-3	
	EMS IMMUNITY	Compliance to EN61000-4-2,3,4,5,6,8,11; ENV50204, EN55024, light industry level, criteria A	
DIMENSION		148*40*34mm (L*W*H)	

Mechanical Specification



Block Diagram

